

# DUKE VDR

Harmony of advantage and flexibility





# COMPETITIVE AND RELIABLE

---



# PERFECT DISPLAY

---

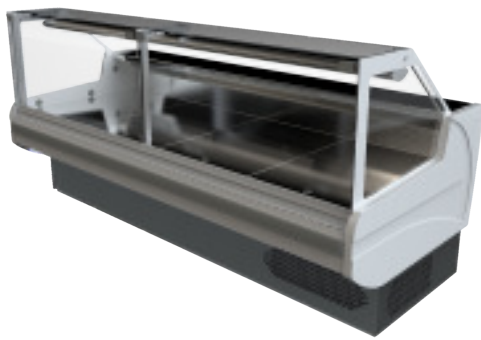


# UTMOST EXPLOITATION OF THE SPACE



# TECHNICAL FEATURES

## DUKE VDR



Standard RAL Colours ( available for kick front and side panel)

1015	1021	2011
3002	3020	5005
5012	6018	7035
7037	9006	9010

### Standard Features:

- Multiplexable linear modules and corners
- Fan assisted cooling
- White display plates
- Single top lighting T8
- Refrigerated understorage with doors
- Electronic Control
- EC fans
- Frontal bumper ABS

### Optional Features:

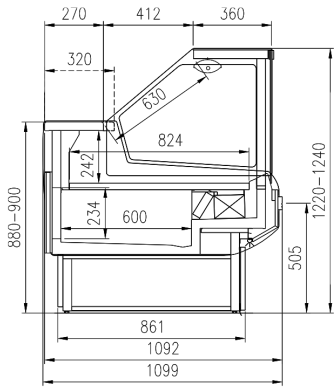
- Movable and fixed divider
- LED Lighting
- Intermediate glass shelf
- Plexiglass back closure
- Steps display plates
- Paper Holder
- Balance Holder
- Cutting Board
- Stainless Steel display plates
- Front anti-mist ventilation

## DUKE VDR

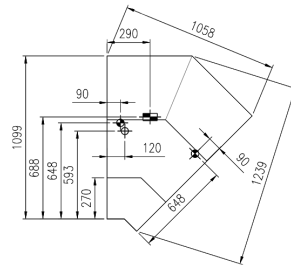
	45° E	45° I	90° E	90° I	937	1250	1875	2500	3125	3750
Fresh Meat	•	•	•	•	•	•	•	•	•	•
Deli	•	•	•	•	•	•	•	•	•	•

# CROSS SECTIONS

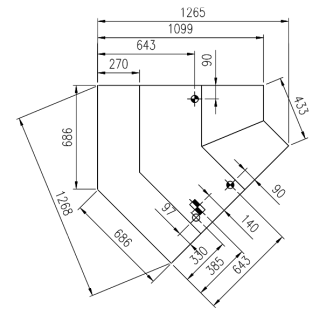
## DUKE VDR



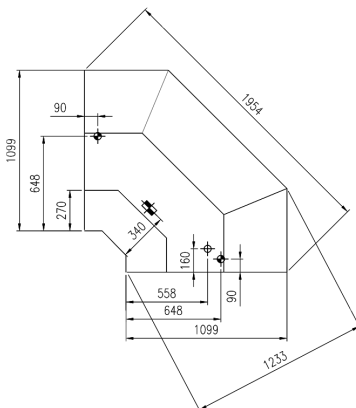
DUKE VDR Meat/Gastronomy



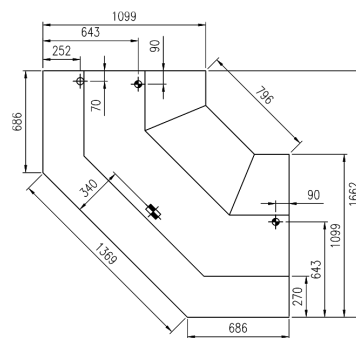
DUKE VC+VDR 45°E



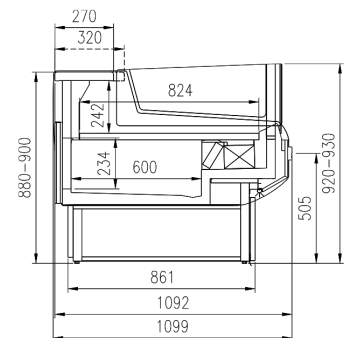
DUKE VDR 45°I



DUKE VC+VDR 90°E



DUKE VDR 90°I



DUKE VDR SS



**pastorfrigor**  
Italian Cold Style 

Pastorfrigor Spa  
15030 Terruggia (AL) - Italy - Reg. Gabannone, 4 Z.I.  
Tel. +39 0142.433.711 - Fax +39 0142.433.701  
info@pastorfrigor.it - www.pastorfrigor.it  
P.IVA 00578270068

---

All the pictures and features related to the products being part of this catalogue,  
do not consider any change and/or update, and suggested configurations are not binding. Any reproduction is strictly forbidden.