



# MILANO

A classic of functionality





# A MASTER OF VERSATILITY



MILANO

# FLEXIBILITY OF USE

Multiplexable in row or back to back with or without head cabinet



# TECHNICAL FEATURES

## MILANO



### Standard RAL Colours

1015	1021	2011
3002	3020	5005
5012	6018	7035
7037	9006	9010

### Standard Features:

- Fan assisted cooling
- Thermostatic valve
- EC fans
- Evaporator defrost heater
- Valve R404 to solder
- Bumper in ABS

### Optional Features:

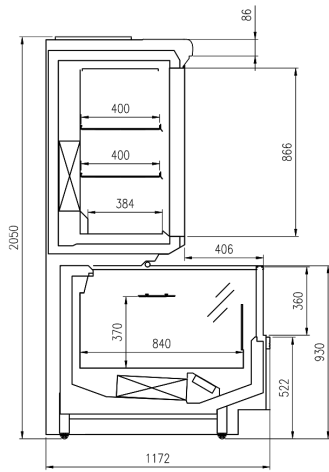
- Stainless steel bumper
- Dividers
- Defrosting with hot gas
- LED lighting
- Control panel master and slave
- Everclear doors
- Internal special RAL painting
- Electronic Valve
- Push sliding covers

## MILANO

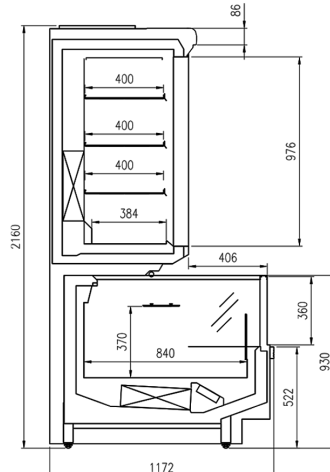
	1875	2200	2500	3750
MILANO Head-2E		•		
MILANO HG-1E	•		•	•
MILANO HG-2E	•			
MILANO NG-1E	•		•	•

# CROSS SECTIONS

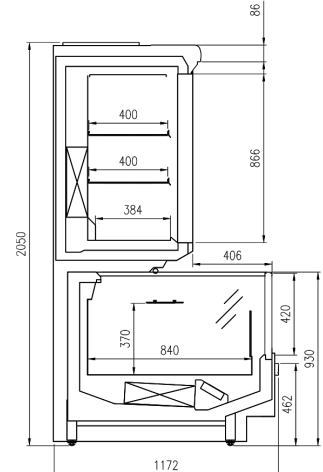
## MILANO



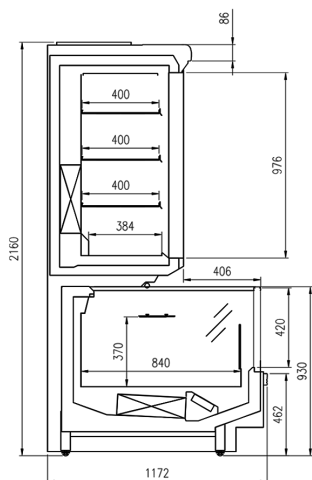
MILANO NG H205 Head



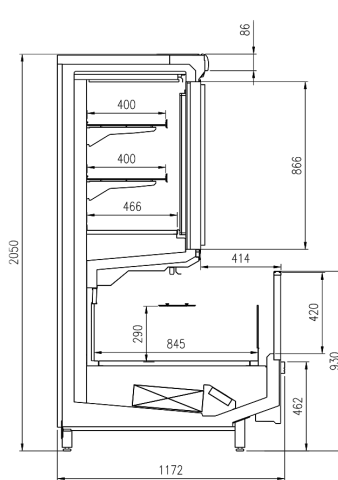
MILANO NG H216 Head



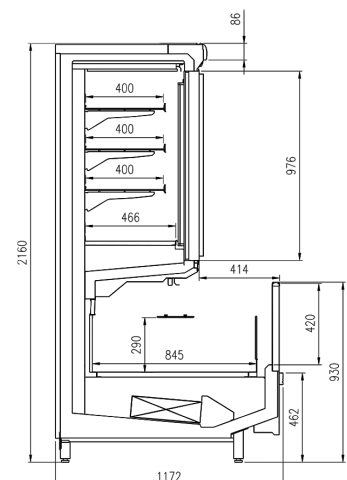
MILANO HG H205 Head



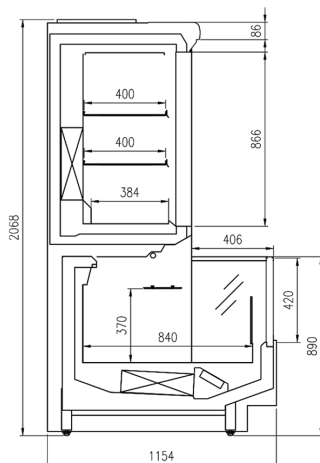
MILANO NG H216 Head



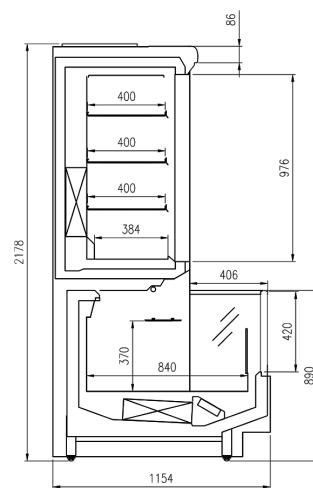
MILANO HG 1E H205



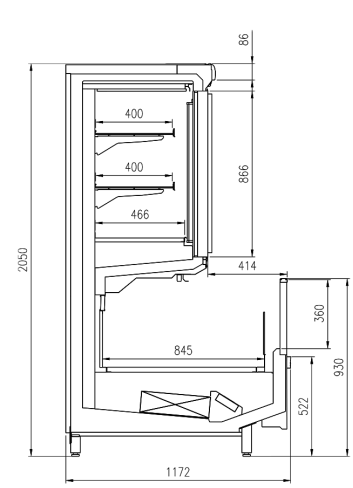
MILANO HG 1E H216



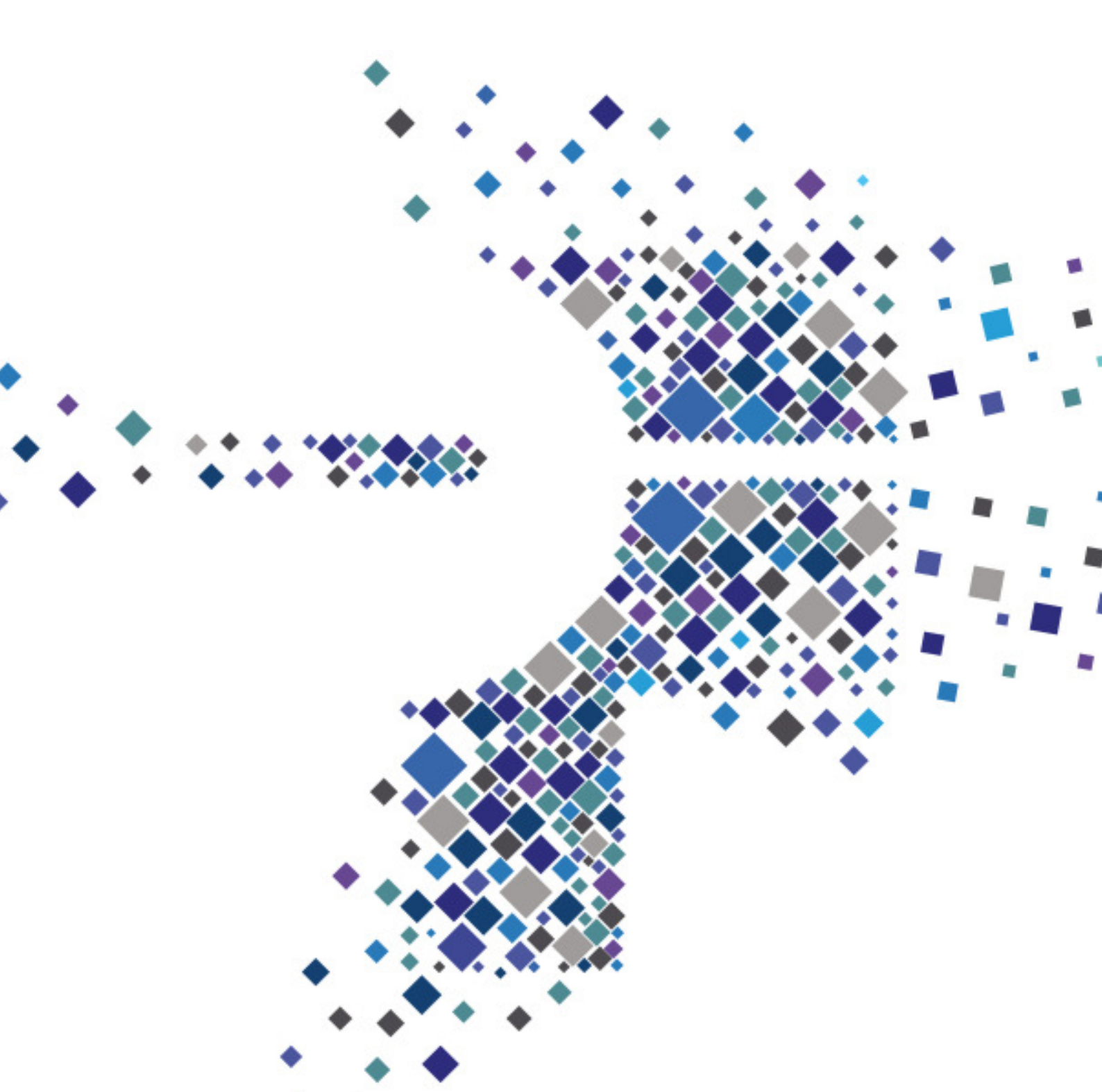
MILANO HG 2E H205



MILANO HG 2E H216



MILANO NG 1E H205



**pastorfrigor**  
Italian Cold Style 

Pastorfrigor Spa  
15030 Terruggia (AL) - Italy - Reg. Gabannone. 4 Z.I.  
Tel. +39 0142.433.711 - Fax +39 0142.433.701  
info@pastorfrigor.it - www.pastorfrigor.it  
P.IVA 00578270068

---

All the pictures and features related to the products being part of this catalogue.  
do not consider any change and/or update, and suggested configurations are not binding. Any reproduction is strictly forbidden.