



PRESIDENT

Distinctiveness of style





WIDE MERCHANDISING DISPLAY. SUPERIOR VISIBILITY

At most exploitation of displayed food



ITALIAN STYLE DESIGN

Accordance between style and usability



CARE OF DETAILS



THE RANGE



BMM



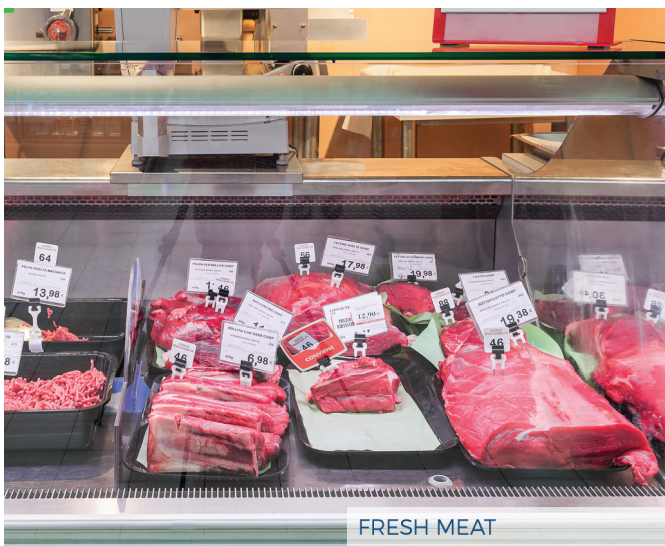
SELF-SERVICE



PASTRY



DELICATESSEN



FRESH MEAT



FISH

DOUBLE STATIC

The perfect solution for meats preservation and display

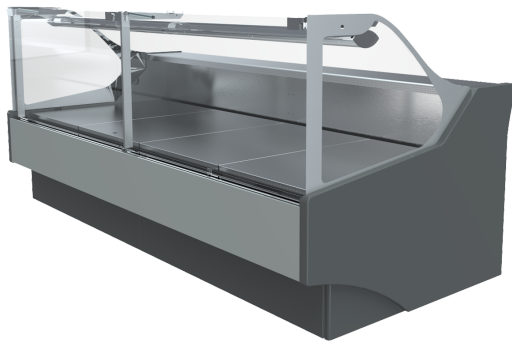


EXCLUSIVE PASTORFRIGOR'S DESIGN













Refrigerated plates, lift-up by means of hydraulic pistons

TECHNICAL FEATURES

PRESIDENT



Standard RAL Colours (available for kick front and side panel)

 1015	 1021	 2011
 3002	 3020	 5005
 5012	 6018	 7035
 7037	 9006	 9010

Standard Features:

- Multiplexable linear modules and corners
- Fan assisted cooling
- Front anti-mist ventilation
- Stainless steel display plates and internal body
- Single top lighting T8
- EC fans

Optional Features:

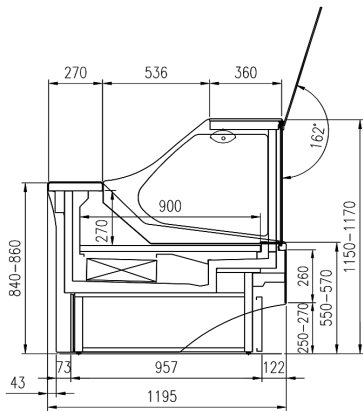
- Movable and fixed divider
- T5 Lighting
- LED Lighting
- Intermediate glass shelf
- Plexiglass back closure
- Steps display plates
- Paper Holder
- Balance Holder
- Cutting Board
- Stainless steel bumper
- Mirrored sidewalls
- Control board master and slave

PRESIDENT

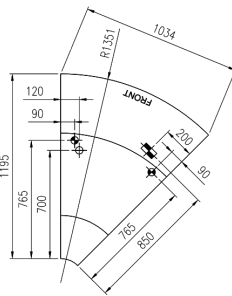
	1875	2500	3125	3750	45° E	45° I	90° E	90° I	0937	937
Fresh Meat	•	•	•	•	•	•	•	•	•	•
Deli	•	•	•	•	•	•	•	•	•	•
Bread	•	•	•	•						•
Hot Food									•	•
Ice Cream		•		•						
Frozen Food		•		•						
Fish		•		•						
Pastry		•		•						

CROSS SECTIONS

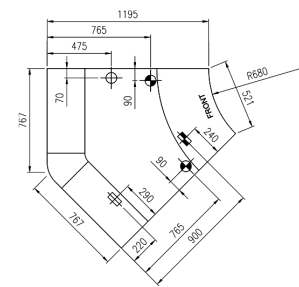
PRESIDENT



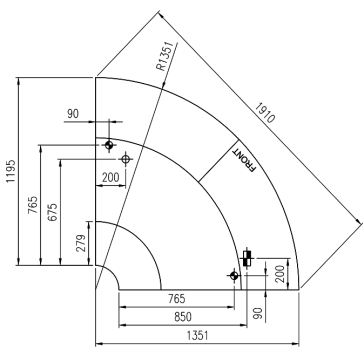
PRESIDENT Meat/Gastronomy



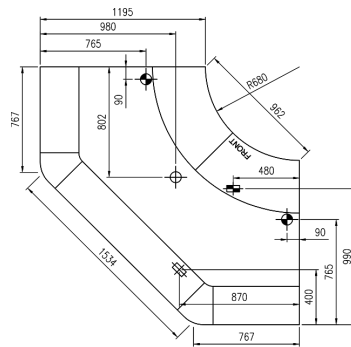
PRESIDENT 45°E



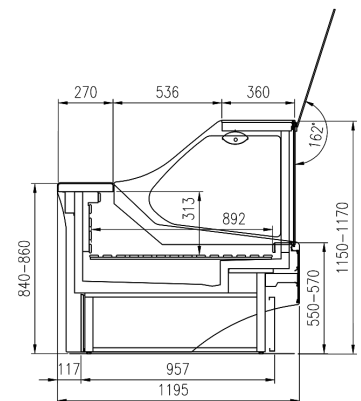
PRESIDENT 45°I



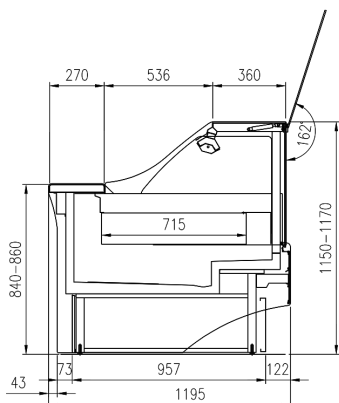
PRESIDENT 90°E



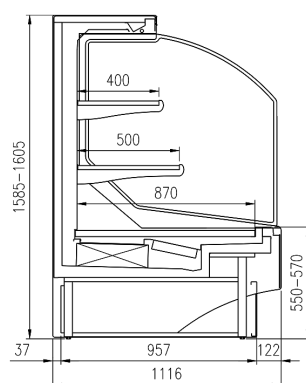
PRESIDENT 90°I



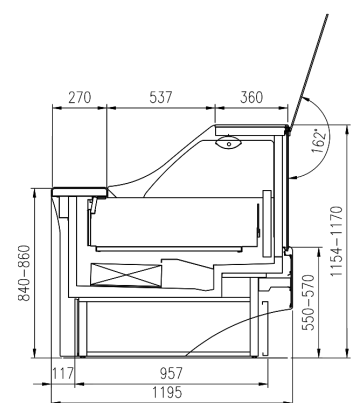
PRESIDENT Bread



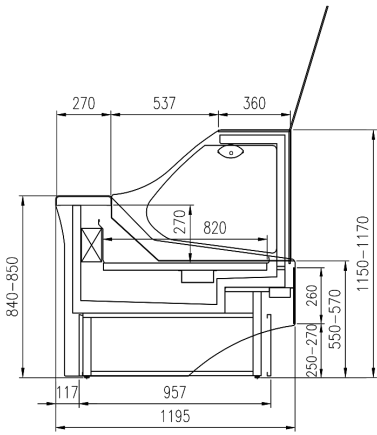
PRESIDENT Hot Section



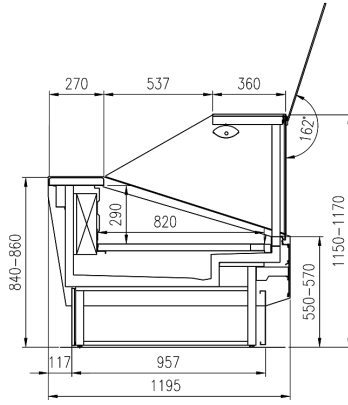
PRESIDENT BMM



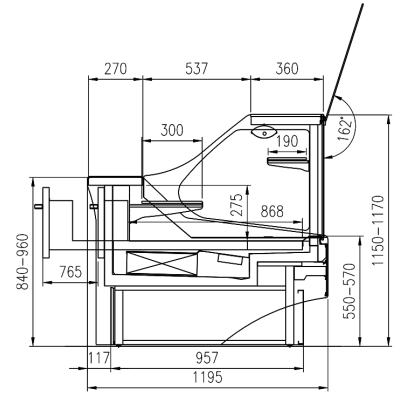
PRESIDENT Low Temperature



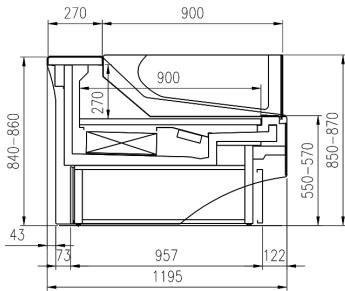
PRESIDENT Double Static



PRESIDENT Fish



PRESIDENT Pastry



PRESIDENT SS



pastorfrigor
Italian Cold Style 

Pastorfrigor Spa
15030 Terruggia (AL) - Italy - Reg. Gabannone, 4 Z.I.
Tel. +39 0142.433.711 - Fax +39 0142.433.701
info@pastorfrigor.it - www.pastorfrigor.it
P.IVA 00578270068

All the pictures and features related to the products being part of this catalogue,
do not consider any change and/or update, and suggested configurations are not binding. Any reproduction is strictly forbidden.