

PRINCE VC

Loftiness of design





PERFECTION OF STYLE

Functionality and refinement of the aesthetic solutions



VERSATILITY OF USE

Available either in integral or remote version















TECHNICAL FEATURES

PRINCE VC



Standard RAL Colours (available for kick front and side panel)

 1015	 1021	 2011
 3002	 3020	 5005
 5012	 6018	 7035
 7037	 9006	 9010

Standard Features:

- Multiplexable linear modules and corners
- Fan assisted cooling
- Refrigerated understorage with doors
- Front anti-mist ventilation
- Stainless steel display plates
- Single top lighting T8
- Electronic controller
- Stainless steel front and lateral bumper
- EC fans

Optional Features:

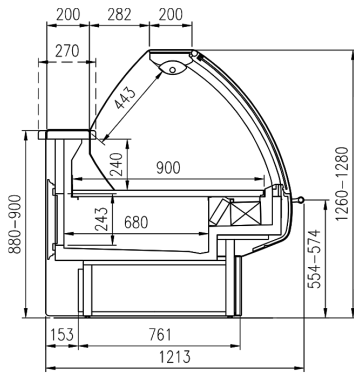
- Movable and fixed divider
- T5 lighting
- LED Lighting
- Intermediate glass shelf
- Plexiglass back closure
- Steps display plates
- Paper Holder
- Balance Holder
- Cutting Board
- Stainless steel internal body

PRINCE VC

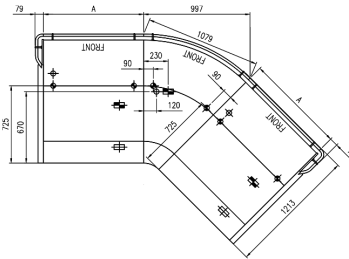
	45° E	45° I	90° E	90° I	937	1250	1875	2500	3125	3750
Fresh Meat	•	•	•	•	•	•	•	•	•	•
Deli	•	•	•	•	•	•	•	•	•	•
Bread					•	•	•	•	•	•
Hot Food					•	•				
Ice Cream						•	•	•		•
Frozen Food						•	•	•		•
Fish						•	•	•		•
Pastry						•	•	•		•

CROSS SECTIONS

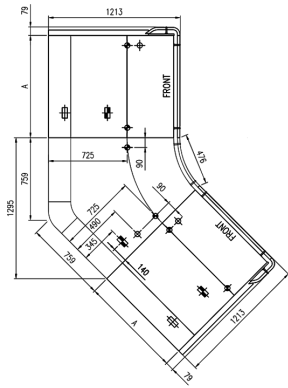
PRINCE VC



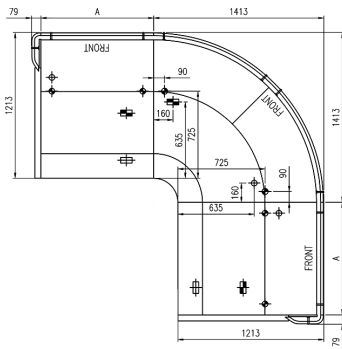
PRINCE VC Meat/Gastronomy



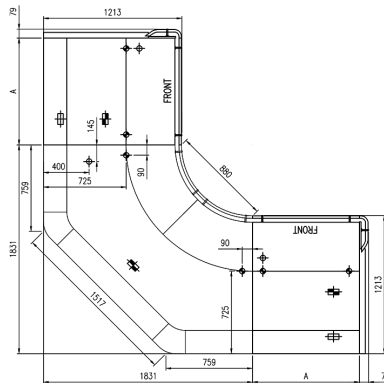
PRINCE VC 45°E



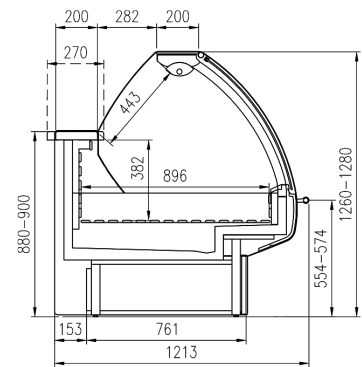
PRINCE VC 45°I



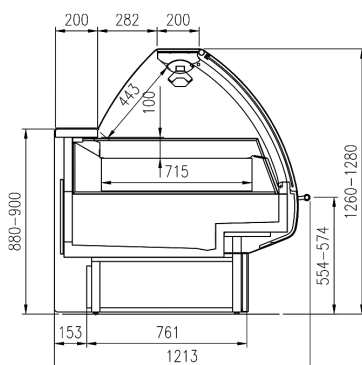
PRINCE VC 90°E



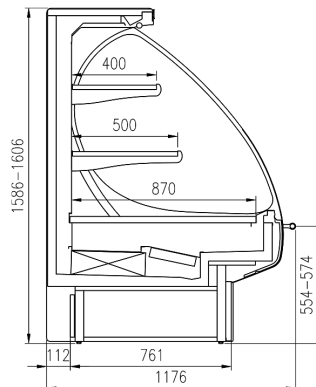
PRINCE VC 90°I



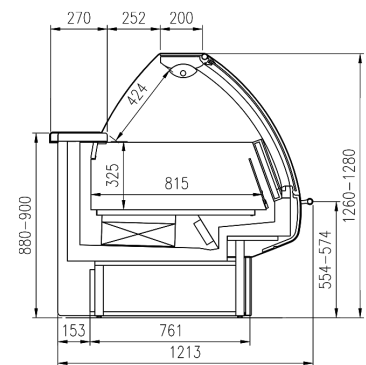
PRINCE VC Bread



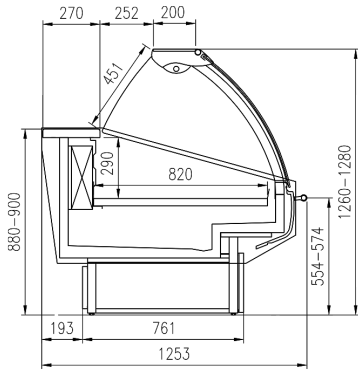
PRINCE VC Hot Section



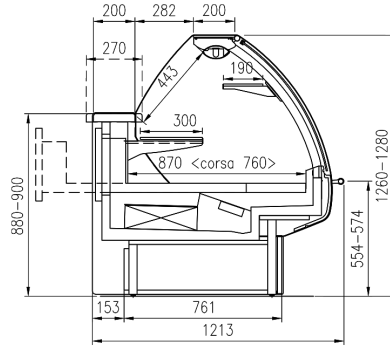
PRINCE VC BMM



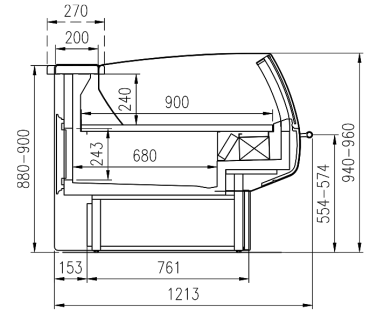
PRINCE VC Low Temperature



PRINCE VC Fish



PRINCE VC Pastry



PRINCE VC SS



pastorfrigor
Italian Cold Style 

Pastorfrigor Spa
15030 Terruggia (AL) - Italy - Reg. Gabannone, 4 Z.I.
Tel. +39 0142.433.711 - Fax +39 0142.433.701
info@pastorfrigor.it - www.pastorfrigor.it
P.IVA 00578270068

All the pictures and features related to the products being part of this catalogue,
do not consider any change and/or update, and suggested configurations are not binding. Any reproduction is strictly forbidden.